

DT24 pressure sensor series

Pressure transmitter, Ø24mm, 57 long, 9-30V DC, G1/4 "A, 4-20mA, M12 plug connector 4-pin, IP67, stainless steel V4A



compact design robust VA housing

The indestructible pressure transmitters of the DT24 series with ceramic measuring cell have been designed for use with all gaseous and liquid media of fluid group 2. The measured values can be easily output via the integrated analog output (4...20mA) on a PLC (programmable logic controller) or an external display device. The pressure transmitters impress with their very low long-term drift.

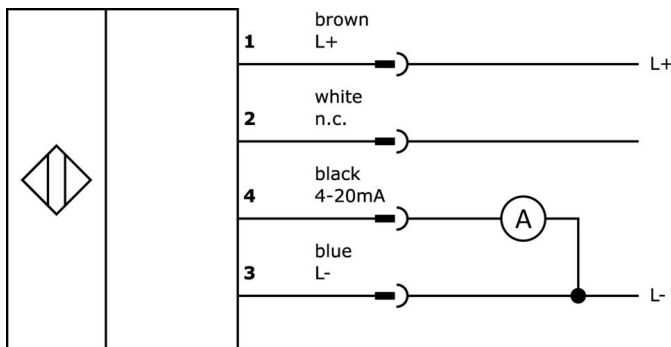
Advantages

- Robust version in stainless steel housing (degree of protection IP67) and ceramic measuring cell
- Media temperature range (-25 °C...+100 °C)
- Short response time (< 3 ms)
- Low long-term drift ($\leq 0.1\%$ per year)

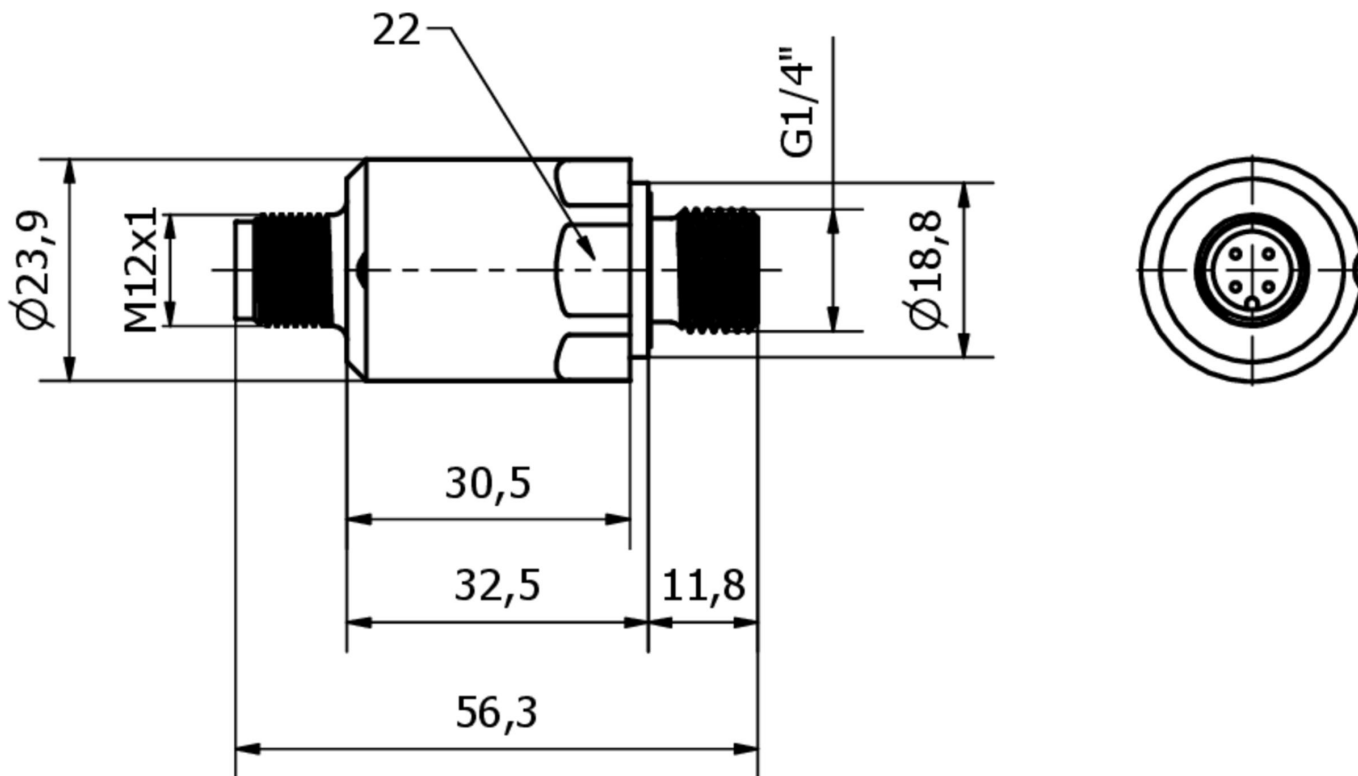
Article No.	DT243103	DT24310D	DT24310J
ardSOCA_Betriebsspannung	9-30VDC		
No-load current	25 mA		
Measuring range pressure	0 - 40 bar	0 - 10 bar	-1 - 1 bar
Max. operating pressure	100 bar	20 bar	10 bar
Measurement method	Relative		
Bursting pressure	140 bar	35 bar	20 bar
Type of process connection	G1/4 inch		
ardSOCA_Abmessungen	Ø23.9mm, 56.3mm long		
ardSOCA_ElektrischerAnschluss	M12 4-pin plug connector		
ardTEEL_Schutzfunktionen	Short circuit protection Reverse polarity protection		
Type of analog output	4 - 20mA		
Relative linearity deviation	0.5 %		
Relative repeat accuracy	0.2 %		
Long-term drift per year	0.1 %		
Temperature drift over entire measuring range	1.5 %		
Housing material	Stainless steel 1.4404		
ardTEME_WerkstoffDesProzessanschlusses	Stainless steel 1.4404		
ardTEME_WerkstoffDerMesszelle	Ceramic		
Seal material at process connection	Plastic (FKM)		
Medium temperature	-25 - 100 °C		
Ambient temperature	-25 - 80 °C		
Storage temperature	-30 - 85 °C		
Degree of protection (IP)	IP67		
Suitable for	Fluid group 2		

Article No.	DT243104	DT243105	DT243106
ardSOCA_Betriebsspannung	9-30VDC		
No-load current	25 mA		
Measuring range pressure	0 - 100 bar	0 - 250 bar	0 - 400 bar
Max. operating pressure	150 bar	375 bar	500 bar
Measurement method	Relative		
Bursting pressure	300 bar	500 bar	650 bar
Type of process connection	G1/4 inch		
ardSOCA_Abmessungen	Ø23.9mm, 56.3mm long		
ardSOCA_ElektrischerAnschluss	M12 4-pin plug connector		
ardTEEL_Schutzfunktionen	Short circuit protection Reverse polarity protection		
Type of analog output	4 - 20mA		
Relative linearity deviation	0.5 %		
Relative repeat accuracy	0.2 %		
Long-term drift per year	0.1 %		
Temperature drift over entire measuring range	1.5 %	2.5 %	2.5 %
Housing material	Stainless steel 1.4404		
ardTEME_WerkstoffDesProzesssa	Stainless steel 1.4404		
ardTEME_WerkstoffDerMesszelle	Ceramic		
Seal material at process connection	Plastic (FKM)		
Medium temperature	-25 - 100 °C		
Ambient temperature	-25 - 80 °C		
Storage temperature	-30 - 85 °C		
Degree of protection (IP)	IP67		
Suitable for	Fluid group 2		

Connection



Dimensional drawing



Extract accessories program

VK505325

Connection cable, 5m, M12 socket 4-pin straight, free cable end, 4x0.34mm², PUR (polyurethane), Ø5.5mm, 250V, -25-90°C, IP67, shielded, suitable for trailing chain and torsion resistant, oils and cooling lubricants, welding area, silicone-free

VK505321

Connection cable, 5m, M12 socket 4-pin angular, free cable end, 4x0.34mm², PUR (polyurethane), Ø5.5mm, 250V, -25-90°C, IP67, shielded, suitable for trailing chain and torsion resistant, oils and cooling lubricants, welding area, silicone-free

VK003020

Cable socket, angular, self-assembly, screw connection, Ø3-6.5mm, 4A, 240V, -25-90°C, M12 socket 4-pin, IP67, PBT

VK003024

Cable socket, Straight, Suitable for self-assembly, Screw connection, Ø3-6.5mm, 4A, 240V, -25-90°C, M12 Female (socket) 4pin, IP67, PBT

AD000017

Accessories pressure, adapter, G1/4, 26lang, V4A

AD000028

Pressure accessories, adapter, G1/4 - G1/2, 24 long, galvanized steel (galv.steel), NBR

AD000026

Accessories Throttle screw, M5x6mm, stainless steel 1.4404

You can find further accessories on our homepage

**Installation**

Mounting / installation may only be carried out by a qualified electrician!

**Disposal**

WEEE number according to § 6 para. 3
ElektroG: 40951076

Safety warnings

- / Before initial operation, please make sure to follow all safety instructions that may be provided in the product information.
- / Never use these devices in applications where the safety of a person depends on their functionality.